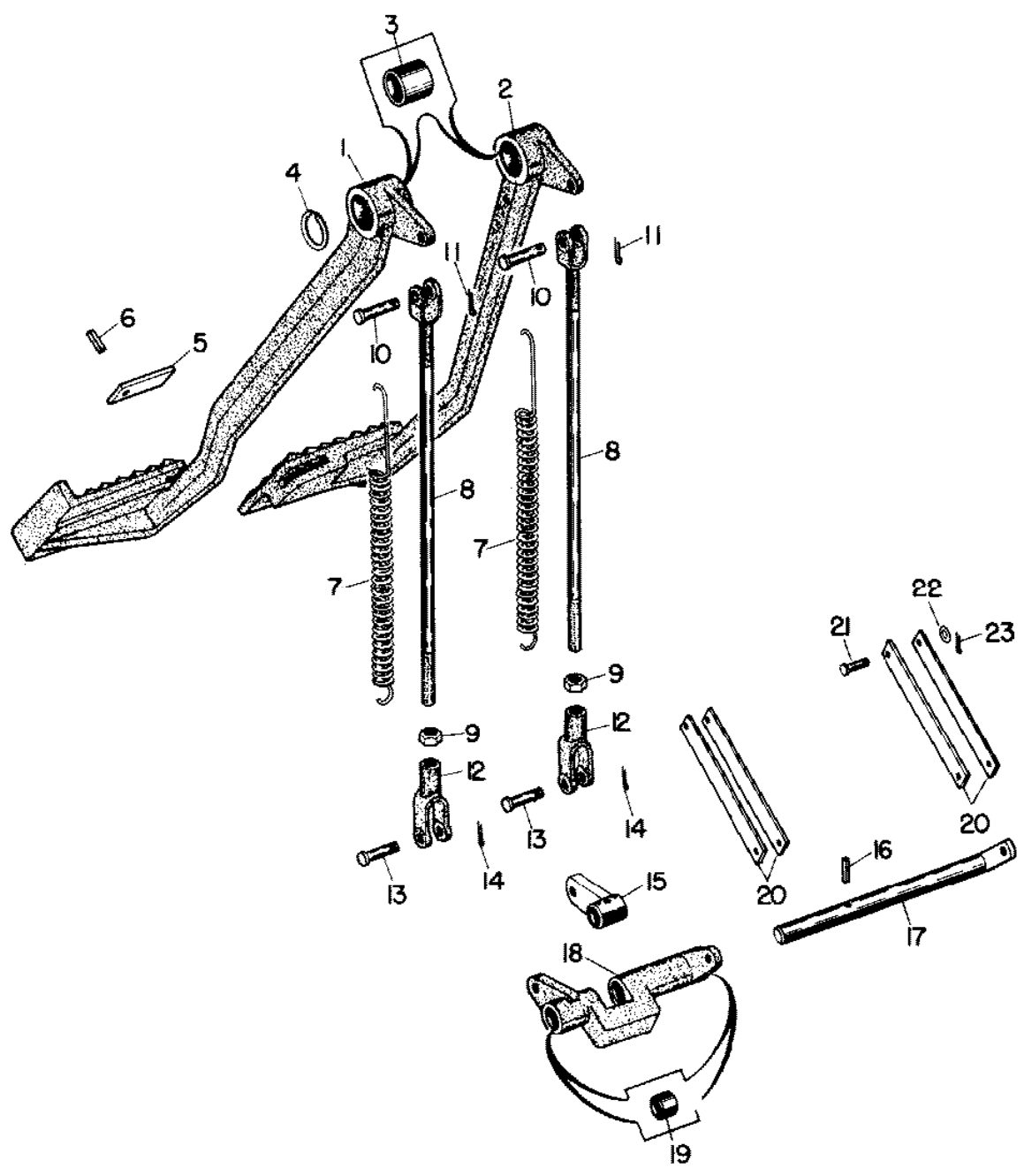


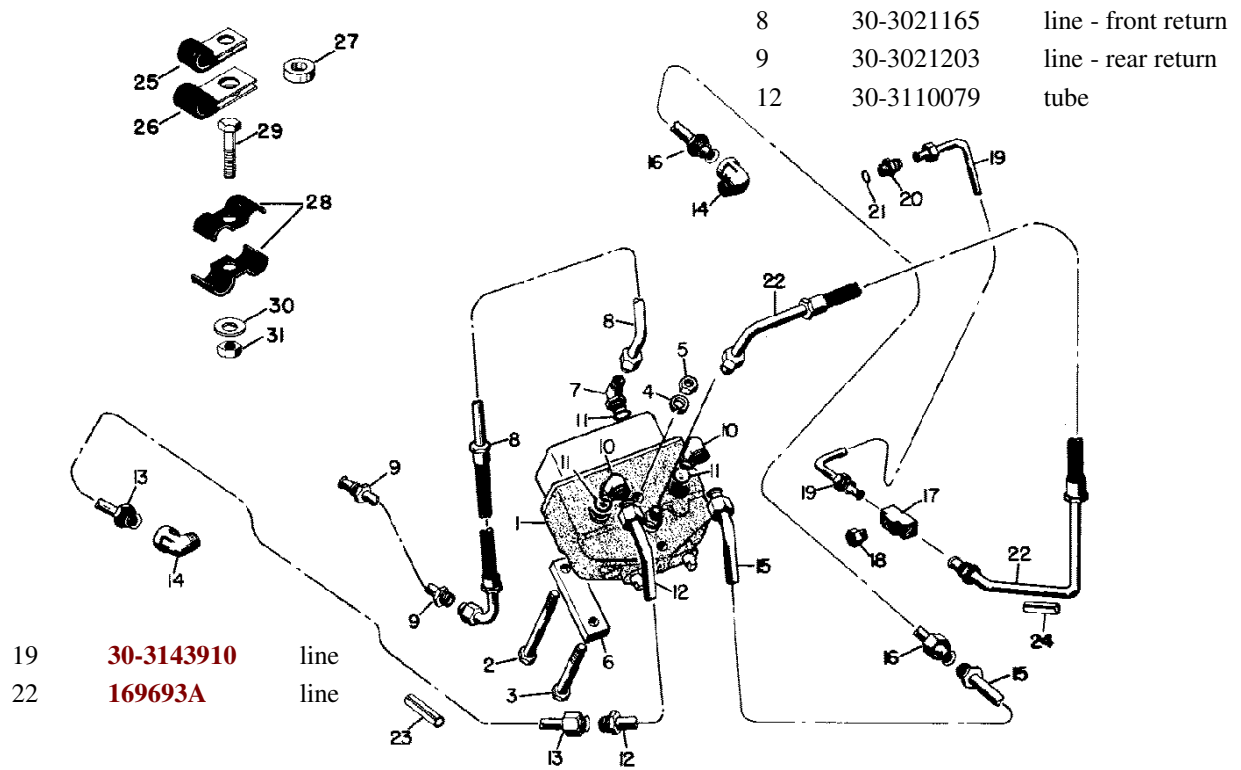
WHITE

2-105

WHITE

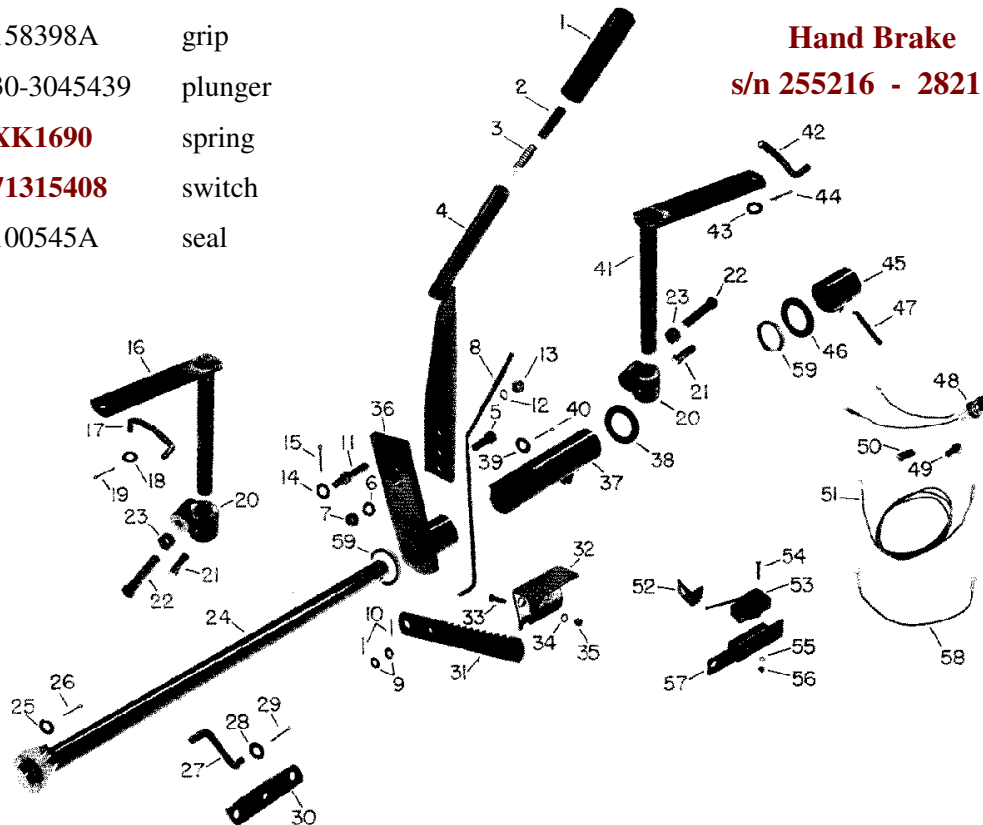
3	72162078	bushing	12	70924121	yoke
7	30-3094561	spring	18	30-3098249	bellcrank
8	30-3116379	rod	19	70936600	bushing



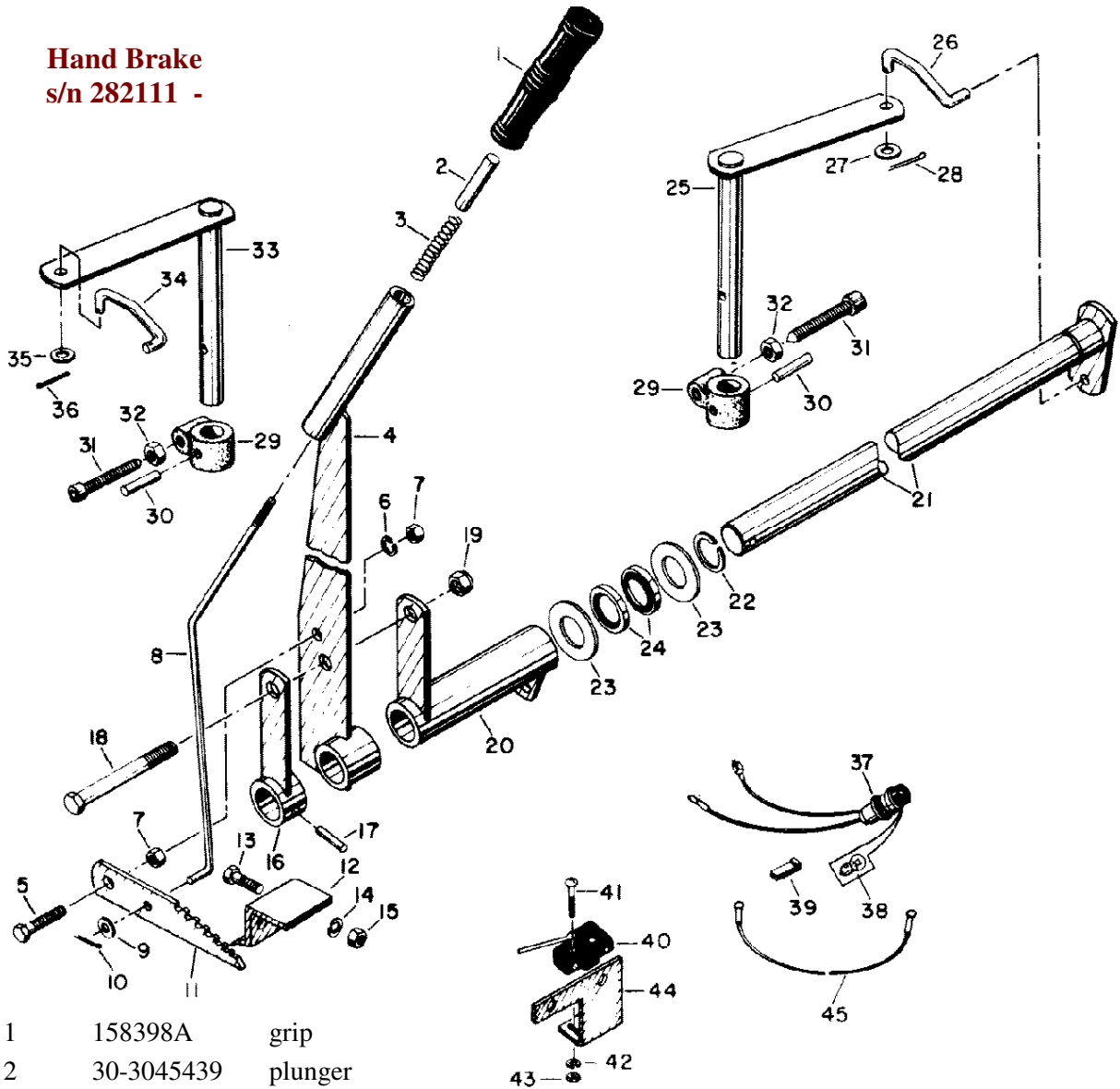


- 1 158398A grip
- 2 30-3045439 plunger
- 3 **XK1690** spring
- 53 **71315408** switch
- 59 100545A seal

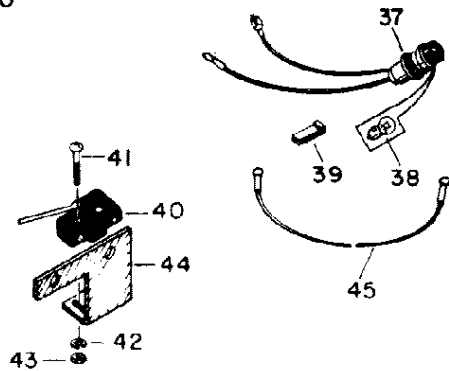
Hand Brake
s/n 255216 - 282110



Hand Brake
s/n 282111 -



- | | | |
|----|-----------------|--------------------|
| 1 | 158398A | grip |
| 2 | 30-3045439 | plunger |
| 3 | XK1690 | spring |
| 4 | 30-3204189 | lever |
| 8 | 30-3204170 | rod |
| 12 | 30-3201112 | stop - without cab |
| 12 | 30-3201104 | stop - with cab |
| 24 | 100545A | seal |
| 37 | 167602A | light |
| 38 | 167258A | bulb |
| 40 | 71315408 | switch |



1	625343	cap	21	72161739	spring
6	168349A	screw, bleed	25	70923596	o-ring
7	30-3050858	seal	30	982754	cup
8	70931857	o-ring	31	982755	cone
9	70925788	o-ring	32	155626A	ring
10	30-3062864	piston	33	70930861	o-ring
11	168492A	insulator	34	30-3065294	plug
12	30-3073246	disc	36	167956A	roller
14	30-3135241	brake	37	163624A	race
15	168487A	plate			
16	30-3302466	seal			

